

R50 Bar Mounting instructions

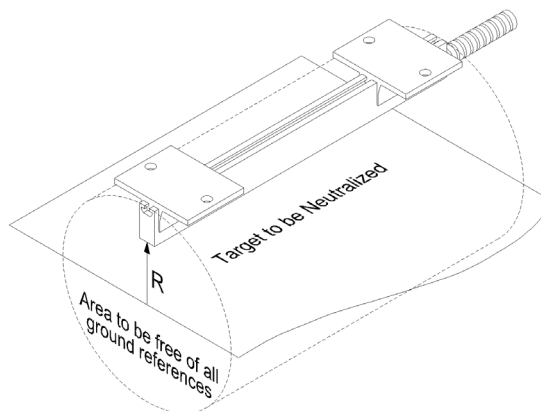
Location

Your R50 Bar should be located as far away from ground references as possible. A cylindrical space of radius “R” between the bar and the web ought to be kept free of ground references. Refer to your Instruction Manual for more details.

CAUTION – FIRE HAZARD

DO NOT locate R50 bars

in close proximity to flammable solvents!



Installation

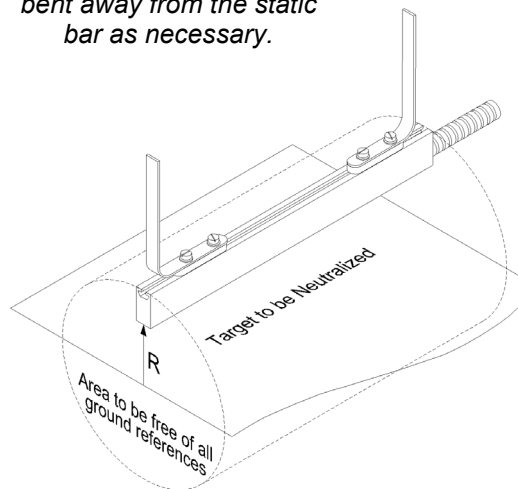
1. Assure all power supplies are turned off or otherwise de-energized.
2. Two mounting bracket designs are supplied with each R50 Bar. Use the wide brackets to provide optimal support and mounting integrity. Alternatively, the narrow brackets may be used if space is not available to accommodate the wider bracket design.

CAUTION - SHOCK HAZARD

Use ONLY nonconductive screws with narrow mounting brackets!

3. Tighten screws hand tight plus 1/4-turn; do not over-tighten. For permanent mounting, apply liquid thread-lock to screws prior to assembly (Loctite 243 or equivalent).
4. Route the high voltage cable from the static bar to the power supply.

Mounting brackets may be bent away from the static bar as necessary.



5200798-B

