

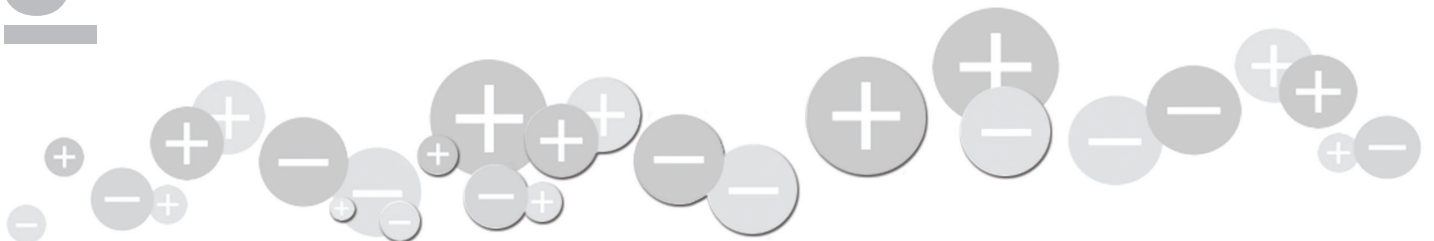


## R50 Bar

### THE ORIGINAL HIGH PERFORMANCE AC STATIC ELIMINATOR

The R50 Bar is a high-efficiency, shockless static neutralizing bar for high-speed webs and hard-to-reach applications. The R50 Bar is designed for quick installation and easy cleaning and offers a mounting channel with full-length adjustment.

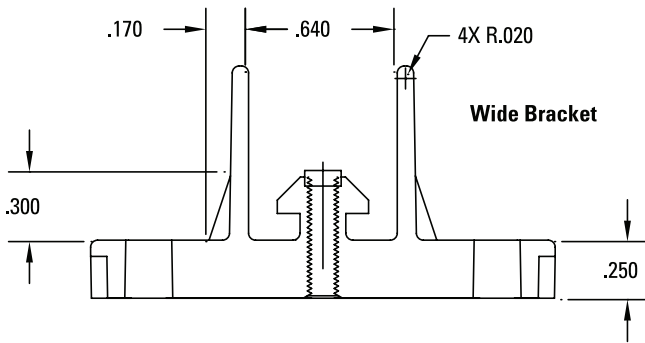
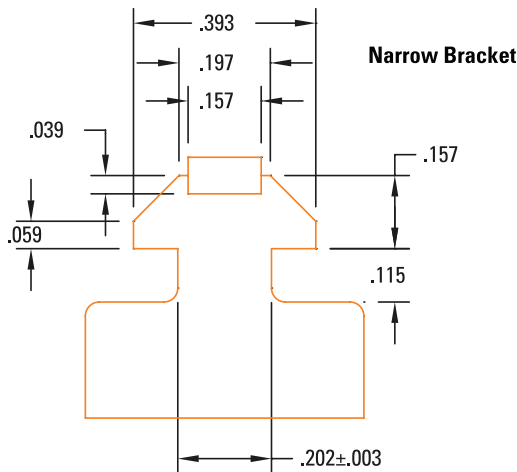
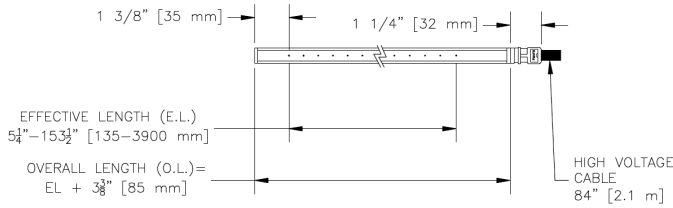
- High performance without the use of costly compressed air
- Embedded ground reference ensuring consistent performance
- Resistively coupled for shockless operation
- Easy 15 mm pin spacing for dense ion output in small spaces
- Equipped with shielded cable to eliminate EMI and RFI associated with other AC ionizers



## Specifications

<b>Dimensions</b>	0.63" x 1.25" (16 x 32 mm)
<b>Overall Length</b>	8.7-156.9" (220-3985 mm)
<b>Operating Voltage</b>	7 kVAC
<b>Mounting</b>	Nylon bolts and metal brackets provided
<b>Temperature</b>	Ambient: 32-176°F (0-80°C)
<b>Connection</b>	Standard length 7' (2.1m) fixed high voltage cable (optional lengths available)
<b>Approval</b>	CE, UL

## Dimensions



## Power Supplies

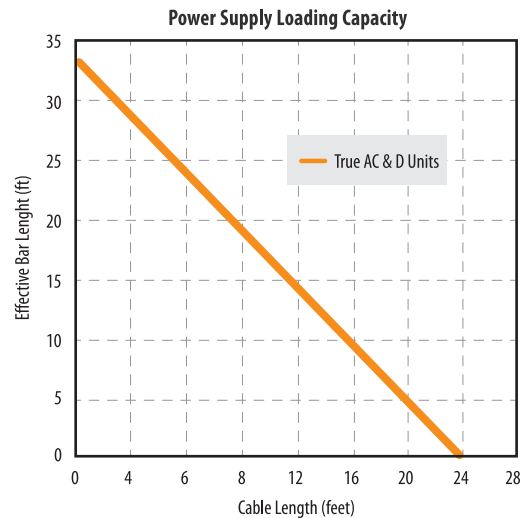
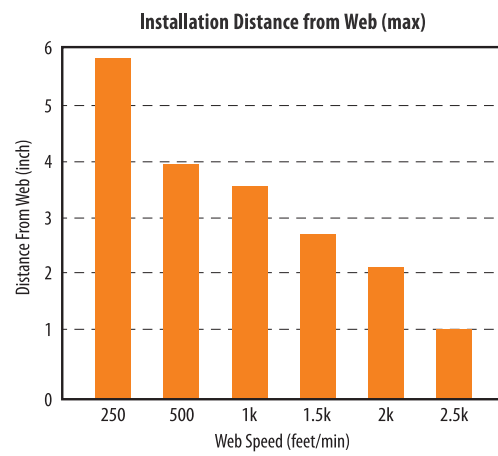
The R50 Bar can be powered by the True AC, D167Q, or D257Q Power Supplies which are ordered separately. In addition, four port power supplies are available.



D167Q Power Supply



True AC Power Supply



**SIMCO ION**<sup>TM</sup>  
An ITW Company

P/N 5200776 Rev. K  
© 2023 Simco-Ion - All rights reserved.  
Specifications are subject to change without notice.

**Simco-Ion**

2257 North Penn Road  
Hatfield, PA 19440-1998

Tel: 800.203.3419 (in USA)  
Tel: 215.822.6401

customerservice@simco-ion.com  
www.simco-ion.com