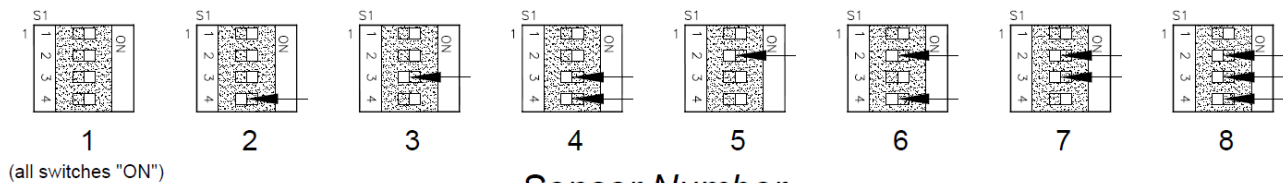
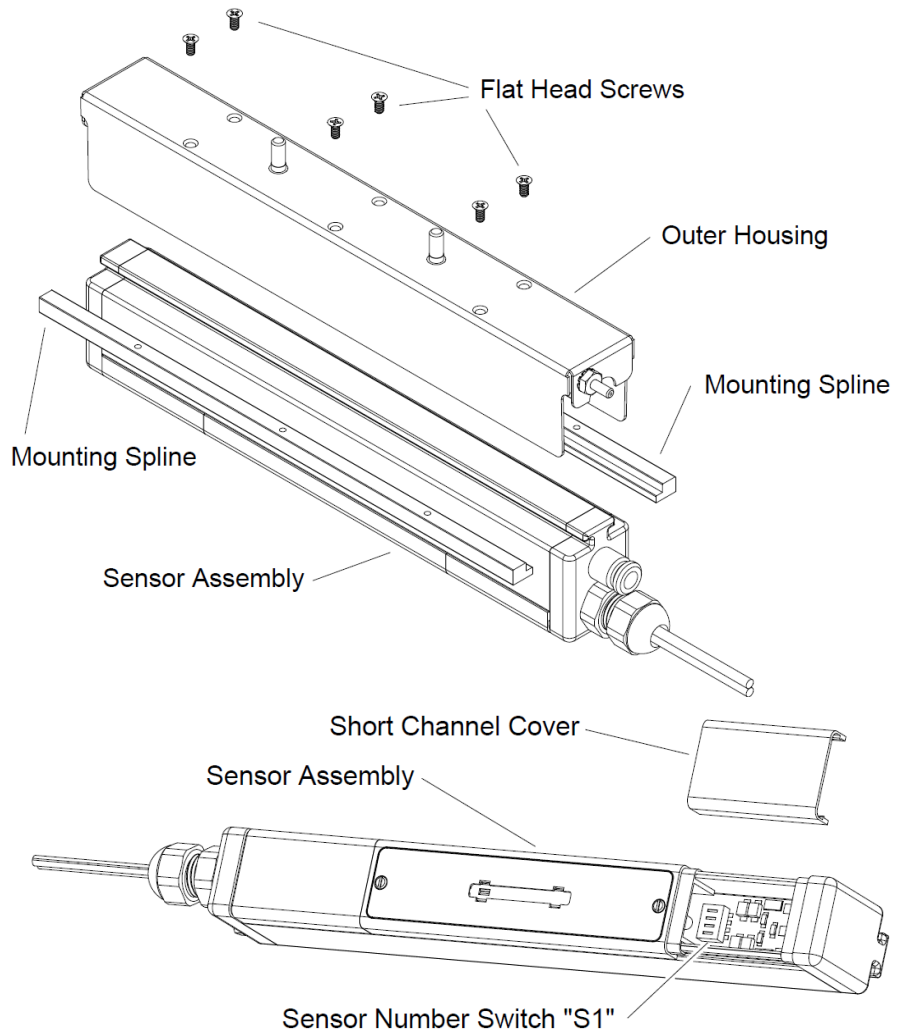


IQ Power™ HL Sensor ***Changing Sensor Number***

NOTICE – RISK OF EQUIPMENT DAMAGE

Avoid sharp blows to sensor. Dropping sensor may cause damage to sensor element.

1. Turn IQ Power system off at Control Station.
2. Ensure that there are no electrostatically charged materials in vicinity of IQ Power HL Sensor, remove bar from machine.
3. Use a #1 Phillips screwdriver to remove (6) flat head screws from stainless steel outer housing.
4. Remove sensor assembly from outer housing. Note the two mounting splines that secure housing to sensor assembly.
5. Carefully pry the short channel cover from sensor assembly. This will expose "S1" the Sensor Number switch.
6. The Sensor Number switch is a 4-position DIP switch that uses positions 2, 3, and 4 for setting the sensor number.
7. To change the Sensor Number, adjust setting of S1 as shown below.



Sensor Number

Switch with arrow is "OFF".

8. It is recommended to tag sensor cable with the sensor number.
9. Assembly of IQ Power HL Sensor is reverse of the above procedure. (Make sure Outer Housing is fully seated in place before installing Flat Head Screws.)