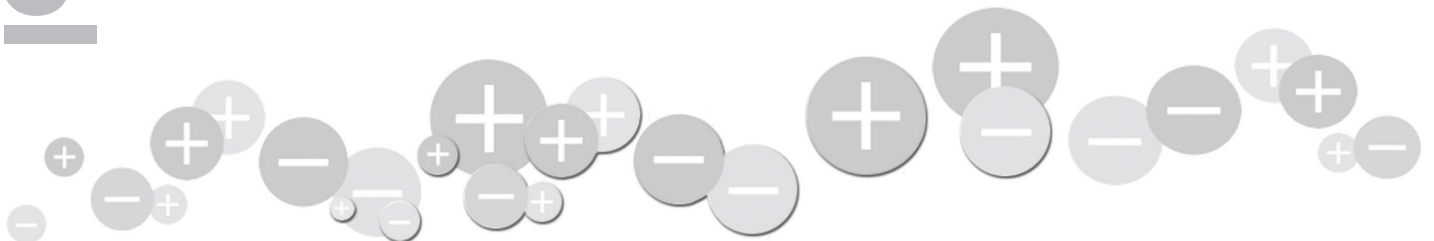


Neutro-Vac® Web Cleaning System

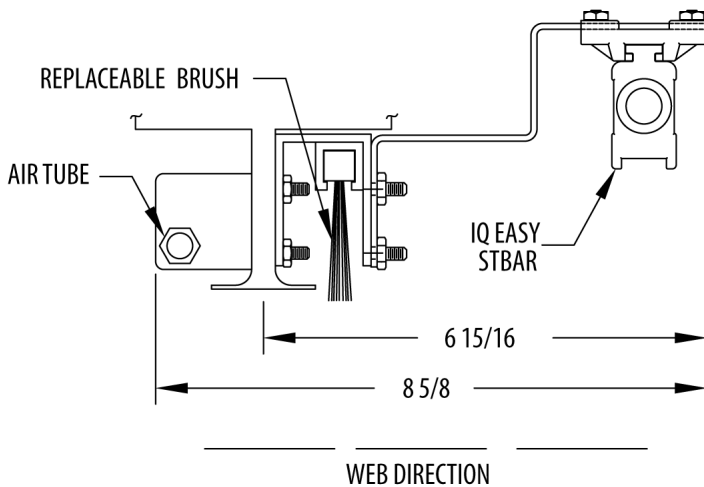
Simco-Ion's Neutro-Vac Web Cleaning System combines the power of a compressed air blast, static elimination, brushes, and a high exhaust head to agitate the web, remove the static bond and evacuate surface particulate down to 10 microns in size. This high efficiency dust collection system incorporates active static elimination, aggressive particle agitation and vacuum removal of debris for cleaning web, sheets, or parts. Neutro-Vac Systems consist of a vacuum hood, ducting and a dust collector and are ideal for installation over unsupported webs from 3" to 300" wide and for cleaning thin film to board stock.

- Reduces product rejects
- Improves overall product quality
- Increases productivity
- Minimizes maintenance and downtime for cleaning



The Neuro-Vac® Web Cleaning System

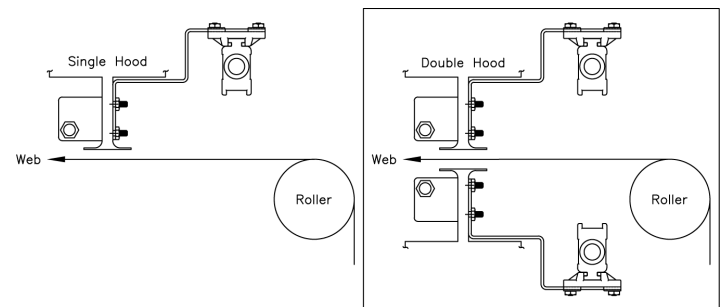
The Neuro-Vac head is designed so that no adjustment is required to accommodate a change in web. It utilizes an IQ Easy static bar with a compressed air tube to eliminate static charges on webs and other materials. After the web is neutralized, it passes under a stiff bristle brush which loosens debris from the web. Particles are then subjected to an aggressive blast of compressed air which lifts debris from the web. Debris is captured and drawn into the vacuum system through an inlet. This configuration is used in applications where web material can tolerate contact and requires aggressive cleaning.



The Neuro-Vac System is designed to provide an unsurpassed level of contamination removal. It is ideal for applications such as:

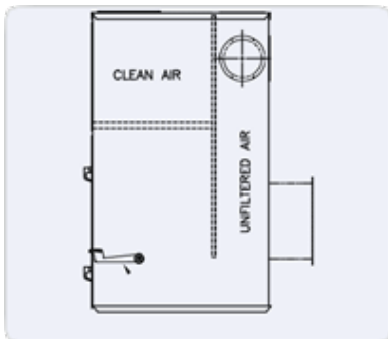
- Printing–Digital, Flexographic, Ink Jet, Gravure
- Medical and Food Packaging
- Battery Materials
- Supported/Unsupported Film Applications
- Laminating Process/Including Hazardous Location

Does your system need top or top & bottom of web or material surfaces contamination removal? Our web-cleaning specialists can guide you through our range of systems identifying the most suitable for your application and requirements. These systems are also designed with low maintenance in mind.

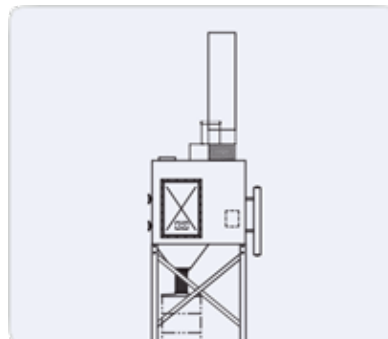


Vacuum hoods are designed to eliminate static charges and physically scour dust and debris down to 10 Micron in size from the surface of a web, sheet, or part. Debris is vacuumed into the inlet slot, flows through the ducting and then is deposited into the dust collector.

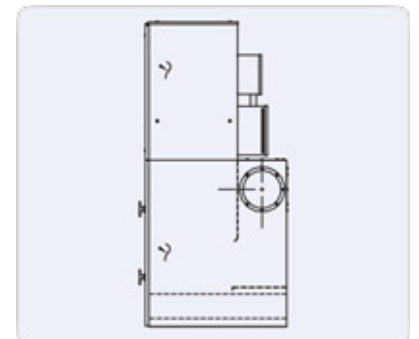
Dust Collector Styles



Bag Style Dust Collector



Continuous Heavy Duty Dust Collector



Cartridge Style Dust Collector

SIMCO IONTM
An ITW Company

5201328 Rev A - 9/21
© 2021 Simco-Ion
All rights reserved.

Simco-Ion

2257 North Penn Road
Hatfield, PA 19440-1998

Tel: 800.203.3419 (in USA)
Tel: 215.822.6401

customerservice@simco-ion.com
www.simco-ion.com