

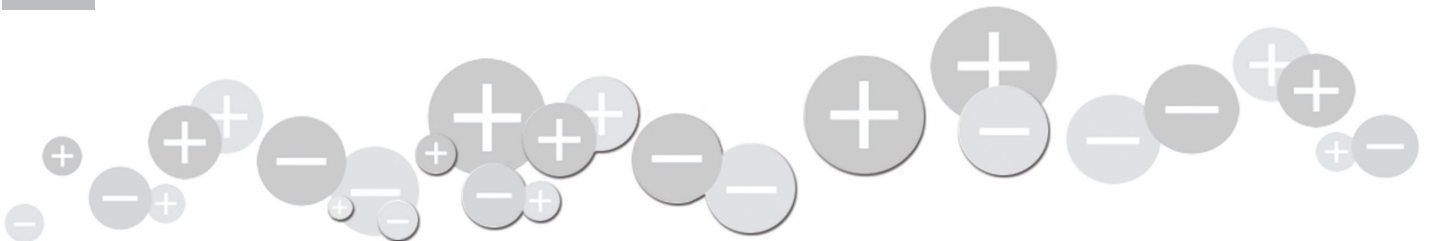


MEB

SHOCKLESS STATIC NEUTRALIZING BAR

The MEB static bar is a very efficient and versatile static eliminator used in a wide variety of applications. Its' small size and ability to fit in tight spaces, makes it a favorite of machine builders.

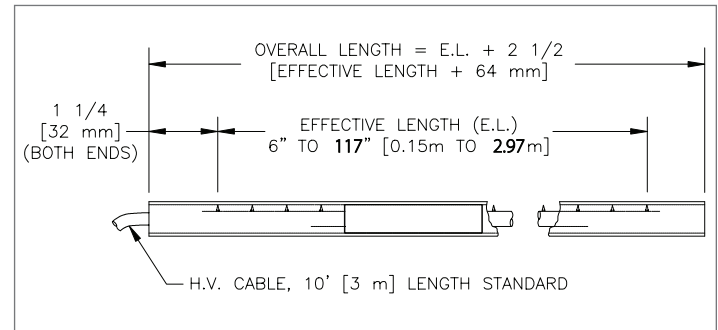
- Aluminum construction
- Over 45 bar lengths available from 8" to 120" (custom sizes available)
- Effective for web speeds up to 1200 ft/min
- Mounting of 1" to 3" from target surface
- Universal mounting brackets
- Optional corona-free shielded cable to reduce RFI & EMI and provides simplified cable installation



Specifications

Housing	Aluminum
Inner Bar	PVC
Emitters	Stainless steel
Effective Length	6-117" [152-2964 mm]
Overall Length	8.5-120" [215-3035 mm]
Mounting Distance	1-3" from target surface
Speed	1200 fpm (max)
Power Supply	F167, F267, D167Q, D167RY, D257Q, N167 or N267
Approval	CE, CSA, UL, FM

Dimensions



The MEB requires a 7 kV power supply for operation, which must be ordered separately (see below).



Specifications

Input Voltage	D167Q: 120V, 50/60Hz; D257Q: 230V, 50 Hz
Output Voltage	7 kV, 3 mA max
Number of outputs for static eliminators	2
Max Length of static bars which can be attached	200"
Does the unit accept shielded cable	Yes
Acceptable for hazardous locations	No
Approval	CE, CSA, UL

Specifications

Input Voltage	F167: 115V, 50/60 Hz; F267: 230V, 50/60 Hz
Output Voltage	7 kV, 3 mA max
Number of outputs for static eliminators	2
Max length of static bars which can be attached	200"
Does the unit accept shielded cable	No
Approval	CE, CSA, UL

SIMCO IONTM
An ITW Company

Simco-Ion
2257 North Penn Road
Hatfield, PA 19440-1998
Tel: 800.203.3419 (in USA)
Tel: 215.822.6401
customerservice@simco-ion.com
www.simco-ion.com

P/N 5200921 Rev. F
© 2022 Simco-Ion – All rights reserved.
Specifications are subject to change without notice.

w o r l d w i d e l e a d e r s i n s t a t i c c o n t r o l